

LR200™

200mm High Output Architectural LED Downlight

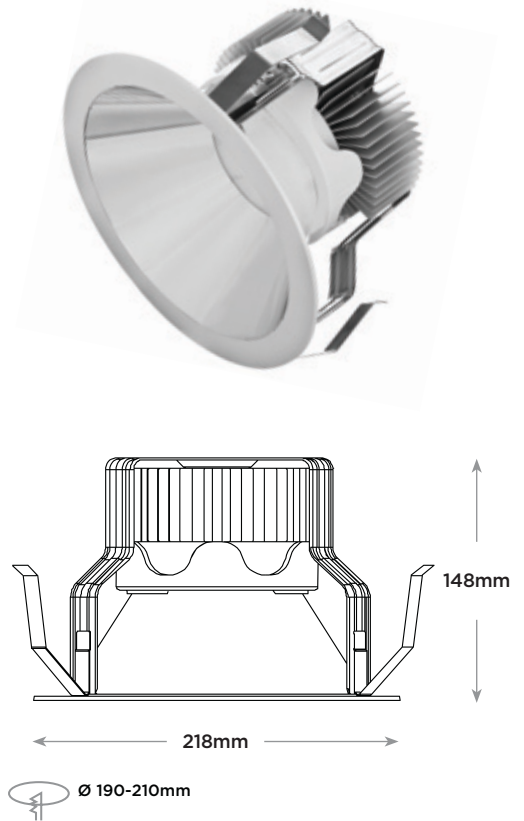
Product Description

The LR200™ high output architectural LED downlight delivers up to 3000 lumens of exceptional 90+ CRI light while achieving over 74 lumens per watt. This breakthrough performance is achieved by combining the high efficacy and high-quality light of Cree TrueWhite® Technology. The LR200 is available in warm and cool color temperatures and features spec grade aesthetics with a polished lower reflector. It is designed to easily install in 190-210mm diameter ceiling openings, making the LR200 perfect for use as a CFL and metal halide downlight replacement in commercial new construction or retrofit applications.

Performance Summary

Utilizes Cree TrueWhite® Technology
Active Color Management
Delivered Light Output: 2000, 3000* lumens
Input Power: 27, 40 watts
CRI: 90
CCT: 3000K, 4000K
Input Voltage: 220-240V
Warranty: 5 years
Lifetime: Designed to last 50,000 hours
Dimming: Dimmable to 5% with DALI and Analog 1-10V dimmers

LR200



Ordering Information

Example: LR200-2000L-30K-23-ADIM-CP

Product	Lumen Output	Color Temperature	Voltage	Control	Options
LR200	2000L 27W 2000 lumens - 74 LPW 3000L 40W 3000 lumens - 75 LPW*	30K 3000 Kelvin 40K 4000 Kelvin	23 220-240 Volt	ADIM 1-10V Dimming DALI Dimmable to 5%	BLANK CE/CB Certified CP CCC Certified

NOTE: Not for US shipment.

*Pending CCC Certification.



