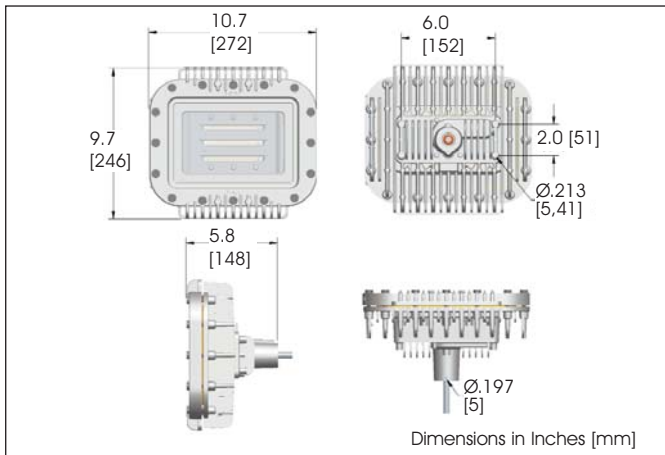




Patent Pending

## SafeSite® Series LED Area Light ATEX/IECEx Version



### Certifications

- Ex II 2GD Ex d IIC T4 Gb (Ta = -20°C to +65°C)
- Ex II 2GD Ex d IIC T5 Gb (Ta = -20°C to +42°C)
- Ex † IIIC T1 35°C Db IP 6X (Ta = -20°C to +65°C)
- Ex † IIIC T1 00°C Db IP 6X (Ta = -20°C to +42°C)
- -40°C variants available for all the above
- Certificate numbers: IECEx SIR 11.0156  
SIRA 11ATEX1357
- ATEX Zones 1 & 21 and 2 & 22
- IP66/67 rated
- RoHS compliant

### Features & Benefits

- 5 year full performance warranty
- Instant on/off operation
- Universal input (110-277 VAC), 50/60Hz
- Superior colour rendition index compared to HPS, LPS, MV
- Mercury free
- Resistant to shock and vibration
- Temperature compensation technology for longer life
- L70 rated for > 100,000 hours @ 25°C ambient
- Factory sealed
- Junction box version also available

### Ordering Codes:

Part Number	Optical Pattern <sup>1</sup>	Color <sup>2</sup>	Lumens	Watts	Lumens Per Watt
HZA2C2N	180	Cool White	3,500	43	81
HZA3C2N	360	Cool White	3,500	43	81
HZA4C2N	180	Cool White	4,500	55	82
HZA5C2N	360	Cool White	4,500	55	82
HZA8C2N	180	Cool White	5,500	70	79
HZA9C2N	360	Cool White	5,500	70	79

<sup>1</sup> 180° optical pattern versions are optimized for a 45° mounting angle

<sup>2</sup> Part numbers listed in the above table are cool white. For neutral white version replace the 5th character with N Ex: HZA2C2N becomes HZA2N2N  
For -40°C to +65°C versions add LT to the standard part number Ex: HZA2C2N becomes HZA2C2N-LT

### Application:

The SafeSite® Series LED area light represents the future of energy efficient facility illumination for hazardous areas worldwide. The ATEX /IECEx area lighting fixture consumes at least 50% less energy compared to traditional HID light sources, while reducing maintenance and carbon emissions. This light incorporates both cutting edge LED technology along with proprietary optics to achieve area lighting comparable with other traditional light sources.

### Mechanical Information

Fixture Weight:	6.58kg (14.5 lb)
Shipping Weight:	7.48kg (16.5lb)
Mounting:	Supplied with Stirrup Mounting Bracket
Cabling:	Factory installed 3 metre SWB cable

### Electrical specifications

Operating Voltage:	110-277VAC, 50/60 Hz
Power Consumption:	43W / 55W / 70W
Operating Temp:	-20°C to +65°C (-20°F to +149°F) -40°C to +65°C also available
Surge Protection:	1 kV line to line 2 kV line to ground
THD:	<15%
Power Factor:	> 0.9

### Construction

Housing:	Powder coated A360 aluminum
Finish:	Polyester / epoxy powder coat gray RAL 7040 for superior corrosion resistance
Lens:	Toughened glass

### Photometric Information

CRI:	> 70
CCT:	5,700K (cool white) 4,500K (neutral white)
Optics:	180° forward throw 360° forward throw
IES Files:	Available upon request

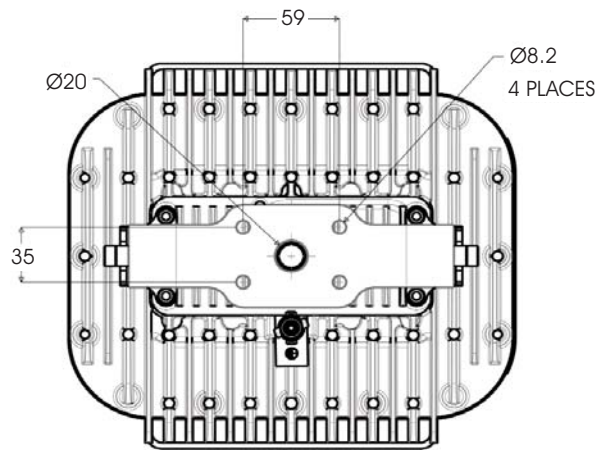
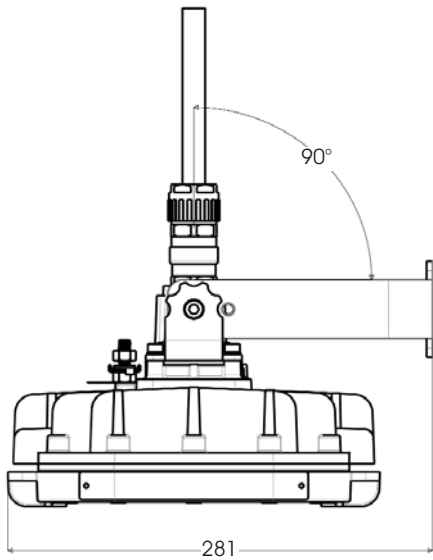
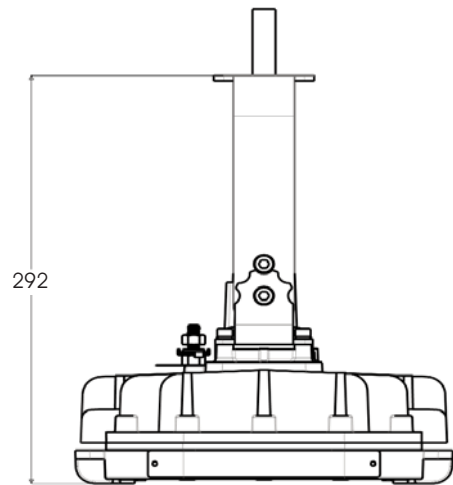
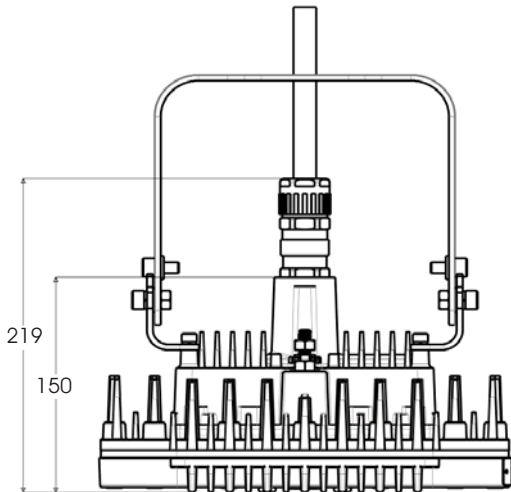
All values typical unless otherwise stated



# SafeSite® LED Area Light

## Dimensions with Stirrup Bracket

Supplied with Stirrup Mounting bracket as shown

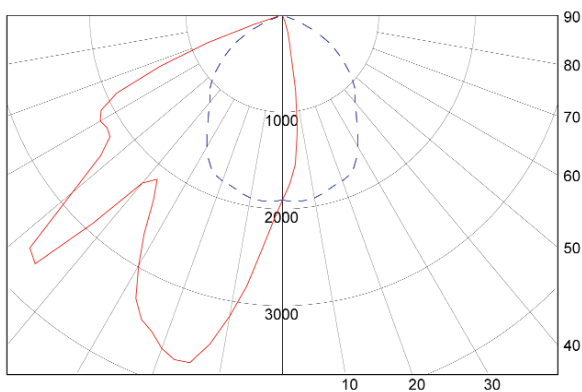


STIRRUP BRACKET FIXING POSITIONS

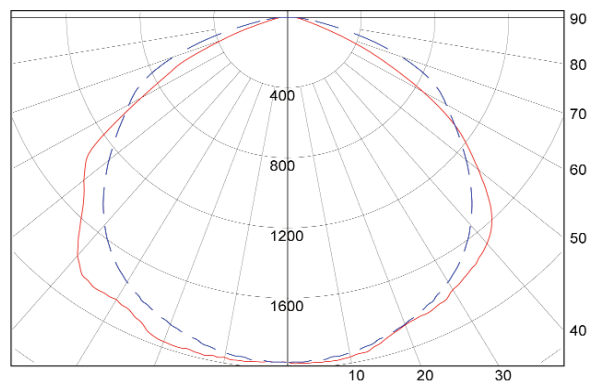
Dimensions in Inches [mm]

## Polar Plots

180° Optical Pattern Mounted at 45°



360° Optical Pattern



**System Integrator: Helon Lighting Limited**

Tel: (852) 3976 5100 | Fax: (852) 3583 4869 | <http://www.helon.com.hk> | [info@helon.com.hk](mailto:info@helon.com.hk)