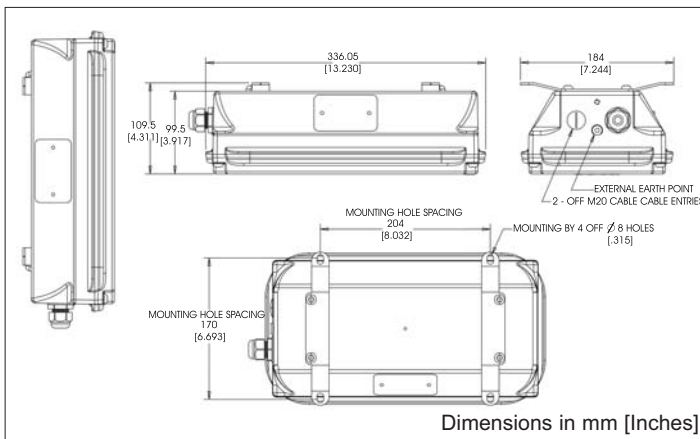




Patent #8,029,162

SafeSite® LED Bulkhead Luminaire

ATEX / IECEx - Emergency Version



Certifications & Ratings:

- ATEX Zones 1 & 21 and 2 & 22
Certificate numbers: IECEx BAS 10.0051X
Baseefa10ATEX0092X
- CE Compliant to: EN 55015-2006 & EN 61547
- Impact Rating to EN 50102: IK09
- Stiftung-EAR registration: DE 98207050
- IP66 rated
- RoHS compliant

13W / 24W

- Ex d e mb IIC T6 Gb, Ex tb IIIC T85°C Db, IP66/67, II 2GD
- ABS Assessed: # 11-LD678508-1-PDA

36W

- Ex d e mb IIC T5 Gb, Ex tb IIIC T100°C Db, IP66/67, II 2GD

Features & Benefits:

- L70 rated for >100,000 hours @ 25°C ambient
- 5 year full performance warranty
- Emergency battery backup versions available
- Emergency exit sign kit and other sign options available
- Sandblasting cover protector available
- Instant on/off operation
- Mercury free, lead free
- Resistant to shock and vibration
- Plug and play - can be supplied complete with approved cable and plug
- Additional LED colors available upon request:
Green - for emergency shower lighting
Red - for emergency lighting

(MOQ applies for above colors, contact us at www.dialight.com)



Application:

The Dialight SafeSite® LED Emergency Bulkhead luminaire has a low profile, rugged design to ensure long life and high reliability in a wide variety of ATEX/IECEx Zone 1 or 21 applications. This self-contained maintained emergency luminaire offers a minimum of 3 hours of illumination equal to 10% of the standard output. It is ideally suited for oil platforms, explosive environments, mills, chemical plants and other hazardous environments. Dialight offers flush, angle, stanchion mounting bracket and adjustable mounting options for use with the SafeSite Bulkhead as well as a recessed housing approved for hazardous locations.

Mechanical Information

Fixture Weight: 5.40kg (11.90 lbs)
Cabling: All cable entries are drilled and tapped see ordering options

Electrical Specifications

Operating Voltage: Max: 207-264V AC 50/60Hz
Max: 90-132V AC 50/60Hz available on 13W & 24W versions only

Total System Power Consumption: See ordering table

Battery: 3.6V 4Ah Nimh - 13W & 24W
3.6V 10Ah Nimh - 36W

Battery Life: 4 years

Battery duration: >3 hours
(Consult factory for longer life versions)

Operating Temp: See tempaturing rating table

Noise Requirements / EMC: FCC Title 47, Subpart B, Section 15, class B device. RF Immunity; 10V/m, 80MHz-1GHz

Harmonics: EN 61000-3-2: 2006

THD: <15% @ 120VAC
<20% @ 230VAC

Surge Protection: 1 kV line to line
2 kV line to ground

Power Factor: > 0.9

Materials

Housing: Copper free LM6 alum cast
Finish: Light grey epoxy powder coated (RAL7001)

Finish options (MOQ applies): Black epoxy powder coated (RAL9005)
White epoxy powder coated (RAL9010)

Lens: High impact resistant clear glass
High impact resistant frosted glass

Mounting Brackets: 306 stainless steel

Stanchion Brackets: Copper free LM6 alum cast

Photometric Information

CRI: 70

CCT: 5,650K (cool white)
4,300K (neutral white)

IES Files: see www.dialight.com

All values typical unless otherwise stated
All lumen values are typical (tolerance +/- 10%)

Temperature Ratings		
	Ambient Temperature Range T6 Temperature Code	Ambient Temperature Range T6 Temperature Code -20°C option
13W	0°C to +50°C (0°F to +122°F)	-20°C to +50°C (-4°F to +122°F)
24W		
36W	0°C to +40°C (0°F to +104°F)	-20°C to +40°C (-4°F to +104°F)
With Recessed Housing		
13W	0°C to +45°C (0°F to +113°F)	-20°C to +45°C (-4°F to +113°F)
24W		
36W	0°C to +35°C (0°F to +95°F)	-20°C to +35°C (-4°F to +95°F)

SafeSite® LED Bulkhead Fixture

Ordering Information

Part Number	Voltage	Lens	Optic	CCT	Lumens	Wattage	LPW
230/240V AC							
WEA-2C4L-NLGC	207-264V AC	Clear Glass	Wide	CW	2,250	36	63
WEA-4C4L-NLGC	207-264V AC	Clear Glass	Oval (35° X 55°)	CW	2,250	36	63
WEA-5C4L-NLGC	207-264V AC	Clear Glass	Oval (55° X 35°)	CW	2,150	36	63
WEA-2C4H-NLGC	207-264V AC	Clear Glass	Wide	CW	1,200	24	50
WEA-4C4H-NLGC	207-264V AC	Clear Glass	Oval (35° X 55°)	CW	1,200	24	50
WEA-5C4H-NLGC	207-264V AC	Clear Glass	Oval (55° X 35°)	CW	1,200	24	50
WEA-2C4C-NLGC	207-264V AC	Clear Glass	Wide	CW	600	13	46
WEA-4C4C-NLGC	207-264V AC	Clear Glass	Oval (35° X 55°)	CW	600	13	46
WEA-5C4C-NLGC	207-264V AC	Clear Glass	Oval (55° X 35°)	CW	600	13	46
90-132V AC							
WEA-2C5H-NLGC	90-132V AC	Clear Glass	Wide	CW	1,200	24	50
WEA-4C5H-NLGC	90-132V AC	Clear Glass	Oval (35° X 55°)	CW	1,200	24	50
WEA-5C5H-NLGC	90-132V AC	Clear Glass	Oval (55° X 35°)	CW	1,200	24	50
WEA-2C5C-NLGC	90-132V AC	Clear Glass	Wide	CW	600	13	46
WEA-4C5C-NLGC	90-132V AC	Clear Glass	Oval (35° X 55°)	CW	600	13	46
WEA-5C5C-NLGC	90-132V AC	Clear Glass	Oval (55° X 35°)	CW	600	13	46

Models shown are cool white, no bracket, clear glass for:

Neutral white models replace the 6th character with a **N** WEA-2**C**4L-NLGC becomes WEA-2**N**4L-NLGC

Angle bracket replace the 10th character with an **A** WEA-2C4L-NLGC becomes WEA-2N4L-**A**LGC

Flush bracket replace the 10th character with a **F** WEA-2C4L-NLGC becomes WEA-2N4L-**F**LGC

Frosted glass models replace the 13th character with a **F** WEA-2C4L-NLGC becomes WEA-2C4L-NLGC**F** (Frosted lens option will reduce lumen output by 6%)

For the -20°C option versions add -20 to the ordering code WEA-2C4H-NLGC becomes WEA-2C4H-NLGC-**20**

Gland Entry Options

Standard Option
2 Entries One Side
2 Entries One Side, 1 Entry



Opposite Side
Add a **E** to the end of the order code



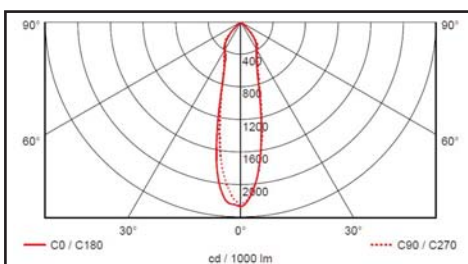
Rear Entry
Add an **R** to the end of the order code



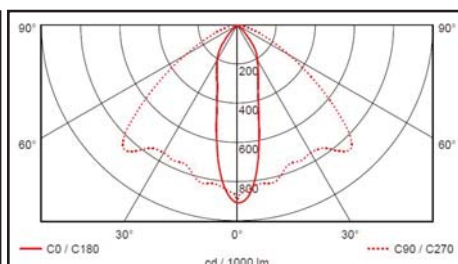
For gland size options and rear entry option please consult factory, MOQ applies.

Polar Plots

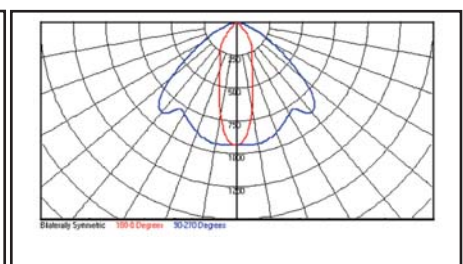
Narrow Optic



Wide Optic (35°x55°)



Wide Optic (55°x35°)



SafeSite® LED Bulkhead Fixture

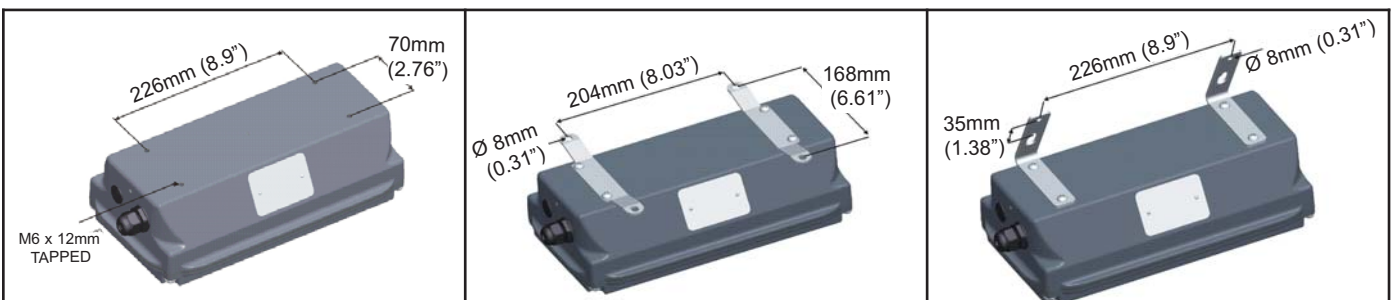
Mounting Options & Accessories

	Part Number	Description	Kit Includes	WE2	WE4	WE5
	WP-BRKT-SS-ADJ	Adjustable bracket	Bracket to fixture hardware	•	•	
	WP-STMB-LG00-22	1 1/2" BSP threaded straight stanchion mounting bracket	EPDM gasket applied 2 M6 grub screws			•
	WP-STMB-LG00-24	1 1/2" NPT threaded straight stanchion mounting bracket	EPDM gasket applied 2 M6 grub screws			•
	WP-STMB-LG25-22	1 1/2" BSP threaded 25 degree stanchion mounting bracket	EPDM gasket applied 2 M6 grub screws			•
	WP-STMB-LG25-24	1 1/2" NPT threaded 25 degree stanchion mounting bracket	EPDM gasket applied 2 M6 grub screws			•
	WP-STMB-LG85-22	1 1/2" BSP threaded 85 degree stanchion mounting bracket	EPDM gasket applied 2 M6 grub screws			•
	WP-STMB-LG85-24	1 1/2" NPT threaded 85 degree stanchion mounting bracket	EPDM gasket applied 2 M6 grub screws			•
	WP-STMB-LG85-50	Non threaded bore 34mm diameter	EPDM gasket applied 2 M6 grub screws			•
	WP-STMB-LG85-60	Non threaded bore 38mm diameter	EPDM gasket applied 2 M6 grub screws			•
	WP-BRKT-LG-PF	Pipe and flush bracket	Bracket to fixture hardware	•	•	•
	WP-RECESS-WH	Recessed housing	Recessed housing Bracket to fixture hardware	•	•	•

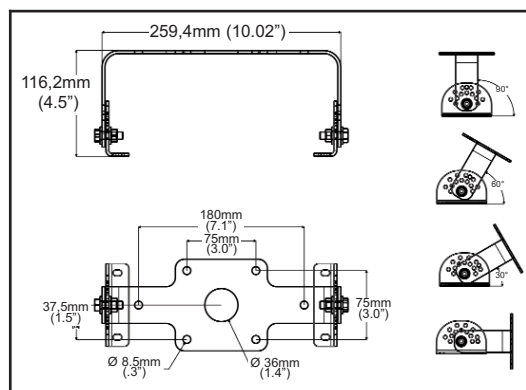
Without Bracket

Flush Bracket

30° Angle Bracket



Adjustable bracket



System Integrator: Helon Lighting Limited

Tel: (852) 3976 5100 | Fax: (852) 3583 4869 | <http://www.helon.com.hk> | info@helon.com.hk