



SafeSite® Series LED High Bay
for Indoor and Outdoor Hazardous Locations

Patent Pending



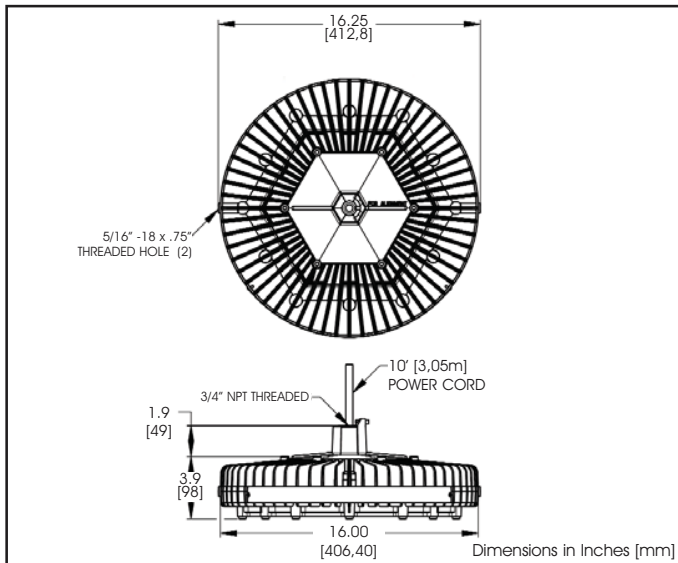
System Integrator: Helon Lighting Limited

Tel: (852) 3976 5100 | Fax: (852) 3583 4869 | email: info@helon.com.hk | <http://www.helon.com.hk>



Patent Pending

SafeSite® Series LED High Bay Fixture



Certifications & Ratings

- Certified to UL 844
- Certified to UL 1598/A
- Certified to C22.2 No.137-M81
- Group B for Hydrogen
- NEMA 4X
- IP66
- IDA Dark Sky

Test Reports

- LM79 Certified
- LM80

Features & Benefits

- L70 rated for 100,000 hours @ 25°C
- 5 year full performance warranty
- Up to 102lm/W
- Low T rating compared to traditional fixtures
- Instant on/off operation
- Universal input (100-277 VAC), 50/60Hz
- Superior color rendition index compared to HPS, LPS, MV
- Mercury free
- Resistant to shock and vibration
- Temperature compensation technology for longer life
- Copper free aluminum
- Factory sealed



Meets Buy American

For projects requiring Buy American certification, consult factory for additional information and details

Application

The first of its kind, the Dialight SafeSite® Series LED High Bay luminaire was designed specifically to replace conventional high bay lighting fixtures in hazardous location applications. Its low profile light weight design allows for increased mounting versatility and ease of installation.

All of Dialight's long life LED luminaires are designed to meet the most demanding specification criteria while offering maximum energy savings, reduced maintenance costs, and a superior quality of light.

Mechanical Information

Fixture Weight:	HBC - 30 lbs (13.6kg) HBD - 17 lbs (7.7kg) HBM - 30 lbs (13.6kg) HBP - 32 lbs (14.5kg)
Shipping Weight:	HBC - 35 lbs (16kg) HBD - 22 lbs (10kg) HBM - 35 lbs (16kg) HBP - 37 lbs (17kg)
Mounting:	(1) 3/4" NPT (2) 5/16"-18 x .75" UNC
Cabling:	10' (3.5m) SOOW Power Cord

Electrical specifications

Voltage:	Universal inputs 100-277V AC, 50/60Hz 347-480V AC 50/60Hz
Total System Power Consumption:	See table
Noise Requirements/ EMC:	FCC Title 47, Subpart B, Section 15, class A device. RF Immunity; 10V/m, 80MHz-1GHz
Transient Protection:	1 kV line to line 2 kV line to ground
THD:	< 15% (277VAC)
Power Factor:	> 0.9
Construction	
Housing:	Powder coated aluminum
Finish:	Polyester / epoxy powder coat gray RAL 7040 for superior corrosion resistance
Lens:	Polycarbonate - UL1598A wet location Tempered glass

Photometric Information

CRI:	> 70
CCT:	6,000K (cool white) 4,300K (neutral white)

All values typical unless otherwise stated
All Lumen values are typical (tolerance +/- 10%)

Temperature Ratings		
	Ambient Temperature Range T4a Temperature Code	Ambient Temperature Range T5 Temperature Code
HBC	-40F to +149F (-40C to +65C)	-40F to +131F (-40C to +55C)
HBM		
HBP		-40F to +149F (-40C to +65C)
HBD		
HBF	-40F to +140F (-40C to +60C)	-40F to +104F (-40C to +40C)

SafeSite® Series LED High Bay






Ordering Information

Part Number	CID1	CID2	CIID1	CIID2	CIID1	CIID2	Voltage	Other Approvals	Lens	CCT	Lumens	Wattage	LPW
Class I, Div 2 Fixtures													
HBDGCMN		A / B / C / D		F / G	•	•	100-277 VAC		Glass	CW	17,500	172	102
HBDGCTN		A / B / C / D		F / G	•	•	347-480 VAC		Glass	CW	17,500	172	102
HBDGC4N		A / B / C / D		F / G	•	•	100-277 VAC		Glass	CW	14,500	161	90
HBDGC5N		A / B / C / D		F / G	•	•	347-480 VAC		Glass	CW	14,500	161	90
HBD2C4N		A / B / C / D		F / G	•	•	100-277 VAC		Polycarbonate	CW	12,000	153	78
HBD2C5N		A / B / C / D		F / G	•	•	347-480 VAC		Polycarbonate	CW	12,000	153	78
HBF2C4N		A / B / C / D	E / F / G	F / G	•	•	100-277 VAC		Polycarbonate	CW	12,000	153	78
HBF2C5N		A / B / C / D	E / F / G	F / G	•	•	347-480 VAC		Polycarbonate	CW	12,000	153	78
HBD2C4M		A / B / C / D		F / G	•	•	100-277 VAC		Polycarbonate	CW	10,500	146	72
HBD2C5M		A / B / C / D		F / G	•	•	347-480 VAC		Polycarbonate	CW	10,500	146	72
HBF2C4M		A / B / C / D	E / F / G	F / G	•	•	100-277 VAC		Polycarbonate	CW	10,500	142	74
HBF2C5M		A / B / C / D	E / F / G	F / G	•	•	347-480 VAC		Polycarbonate	CW	10,500	146	72
HBF3C4L		A / B / C / D	E / F / G	F / G	•	•	100-277 VAC		Polycarbonate	CW	8,500	123	69
HBF3C5L		A / B / C / D	E / F / G	F / G	•	•	347-480 VAC		Polycarbonate	CW	8,500	123	69
HBD3C4L		A / B / C / D		F / G	•	•	100-277 VAC		Polycarbonate	CW	8,500	123	69
HBD3C5L		A / B / C / D		F / G	•	•	347-480 VAC		Polycarbonate	CW	8,500	123	69
Class I, Div 1 Fixtures													
HBC9C3N	C / D	C / D	E / F / G	F / G			100-277 VAC		Glass	CW	11,000	162	68
HBC9C6N	C / D	C / D	E / F / G	F / G			347-480 VAC		Glass	CW	11,000	162	68
HBC9C3M	C / D	C / D	E / F / G	F / G			100-277 VAC		Glass	CW	9,500	142	67
HBC9C6M	C / D	C / D	E / F / G	F / G			347-480 VAC		Glass	CW	9,500	142	67
HBM9C3M	C / D	C / D	E / F / G	F / G			100-277 VAC	Paint Spray Booth	Glass	CW	9,500	142	67
HBM9C6M	C / D	C / D	E / F / G	F / G			347-480 VAC	Paint Spray Booth	Glass	CW	9,500	142	67
HBP9C3M	B/C/D		E / F / G				100-277 VAC	Group B Hydrogen only	Glass	CW	9,500	142	67
HBP9C6M	B/C/D		E / F / G				347-480 VAC	Group B Hydrogen only	Glass	CW	9,500	142	67
HBC8C3G	C / D	C / D	E / F / G	F / G			100-277 VAC		Glass	CW	5,500	137	40
HBC8C6G	C / D	C / D	E / F / G	F / G			347-480 VAC		Glass	CW	5,500	137	40

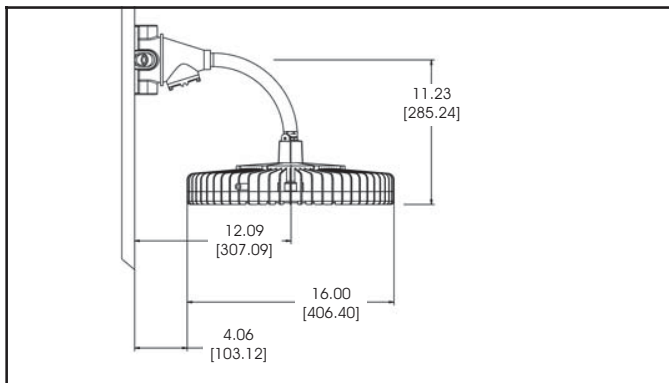
Models shown are cool white, for neutral white models replace the 5th character with an N HBDGCMN becomes HBDGNMN

SafeSite® Series LED High Bay

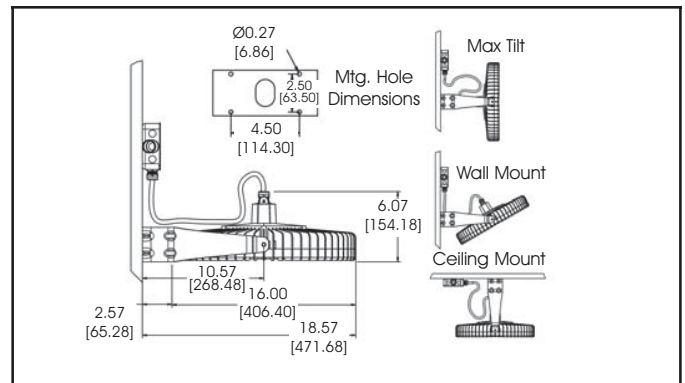
Mounting Options & Accessories

	Part Number	Description	Kit Includes	CID2	CID1
	No Part Number	Pendant Mount (Conduit supplied by installer)	Conduit supplied by installer	●	●
	HBXW1	Wall Mount	Junction Box Fixture Hanger Cover Rigid Pipe Sweep	●	●
	HBXW2	Swivel Bracket and Cable Gland	Swivel Bracket Bracket to fixture hardware Cable Gland	●	
	HBXC1	Ceiling Mount	Junction Box Fixture Hanger Cover 3" Rigid Pipe	●	●
	HBXCG	Cable Gland	Cable Gland	●	

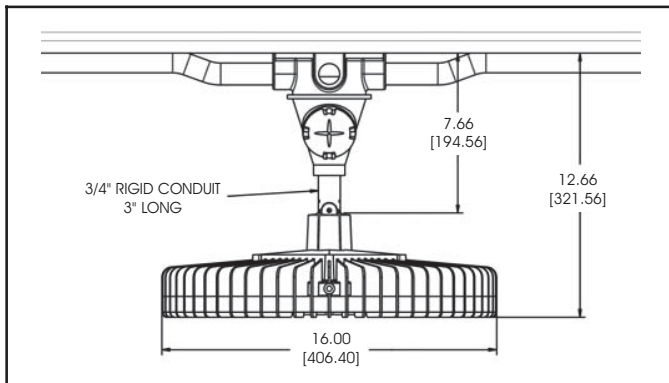
HBXW1 - Wall Mount



HBXW2 - Swivel Bracket and Cable Gland



HBXC1 - Ceiling Mount



HBXCG - Cable Gland

