

## HEICC-2301T

### 1080P HIGH DEFINITION TDN IP EXPLOSION-PROOF CAMERA

Honeywell HEICC-2301T is an IP explosion-proof fixed camera featuring superior 1080P high definition image quality and True Day/Night functions. Complied with international explosion protected equipment standards ATEX, and rated IP68 waterproof standard, this advanced IP camera is designed for installation in potentially explosive atmospheres, such as petrochemical fields, oil refineries, LNG facilities, chemical plants and so forth.

The HEICC-2301T delivers high definition images of 1080p (1920 x 1080) resolution at up to 30 frames per second. The True Day/Night function with an IR-cut filter guarantees superior image quality at both bright and dim conditions. By applying the H.264 video compression technology, the HEICC-2301T streams high quality images at optimized bandwidth which reduce data volume effectively to save storage space.

The viewing window is made of filming tempered glass with an integrated wiper to ensure clear and detailed images can be captured any time even in hazardous locations.

#### Market Opportunities

Assembled with a rigid enclosure, the HEICC-2301T delivers a high-definition 1080P video explosion-proof surveillance solution for security applications used in extreme environments. Also featuring 1080P resolution, True Day/Night, H.264 compression and ONVIF standard, the HEICC-2301T provides optimum surveillance performance in oil refineries, chemical plants, coal mines and so on.

#### FEATURES

- 1080P resolution at up to 30 fps
- True Day/Night with IR-cut filter
- ATEX II 2 GD; Ex d IIC T6 Gb, Ex t IIIC T80°C Db
- Stainless steel 304; Waterproof IP68 rating
- Multiple H.264 streams and MJPEG streams ensure simultaneous real-time monitoring and high resolution recording
- H.264 main profile helps save network bandwidth and storage resources
- Motion detection (4 zones); Privacy masking (4 zones)
- Built-in wiper on the lens cover to remove condensed water
- Built-in heater
- IP platform: Honeywell Universal Surveillance (HUS)
- ONVIF compliance



# HEICC-2301T

1080P HIGH DEFINITION TDN IP EXPLOSION-PROOF  
CAMERA

## SPECIFICATIONS

Video	
Image Sensor	1/3" Progressive Scan CMOS
Effective Pixels	1920 (H) x 1080 (V)
Min. Illumination	0.1lx (Color); 0.001lx (B/W)
Day/Night	TDN
S/N Ratio	≥50dB
Shutter Speed	1/25 – 1/100000 sec, slow shutter 1/2, 1/4, 1/8, 1/12
Digital Noise Reduction	ON/OFF
OSD Overlay	Name / date / stream information; Position adjustable
Video Standard	NTSC, PAL
Privacy Masking	4 zones (configurable in size)
Automatic Lens Control	DC Iris
Gain Control	Auto/Manual
White Balance	ATW
IP Specification	
Video Compression	H.264 Main Profile and Motion JPEG simultaneously
Image Resolution	Main stream: 1920x1080 @ 25/30fps; Extra stream: 640x480, 320x240, 160x112 @ 25/30fps
Supported Protocol	TCP/IP, UDP, RTP, RTSP, RTCP, HTTP, DNS, DDNS, DHCP, FTP, NTP, PPPOE, SMTP, UPNP
Security	Password protection, IP address filtering, User access log
User	2 simultaneous users
Communication Protocol	ONVIF
Alarm	
Alarm Trigger	Intelligent video motion detection and external input
Motion Detection	4 zones
Alarm Event	Event server: FTP server, SMTP server, Web browser
Electrical	
Power Supply	24V AC, ±25%
Power Consumption	30W max
Electrical Connection	1m pigtail wire harness with connections for power, network, earth and reset button
Mechanical	
Dimensions	430(L) x 149.5(W) x 225.5(H) mm
Weight	9kg
Viewing Window	Physical tempered float glass, 10mm thick
Construction	Stainless steel 304; Mechanical polishing

## HEICC-2301T

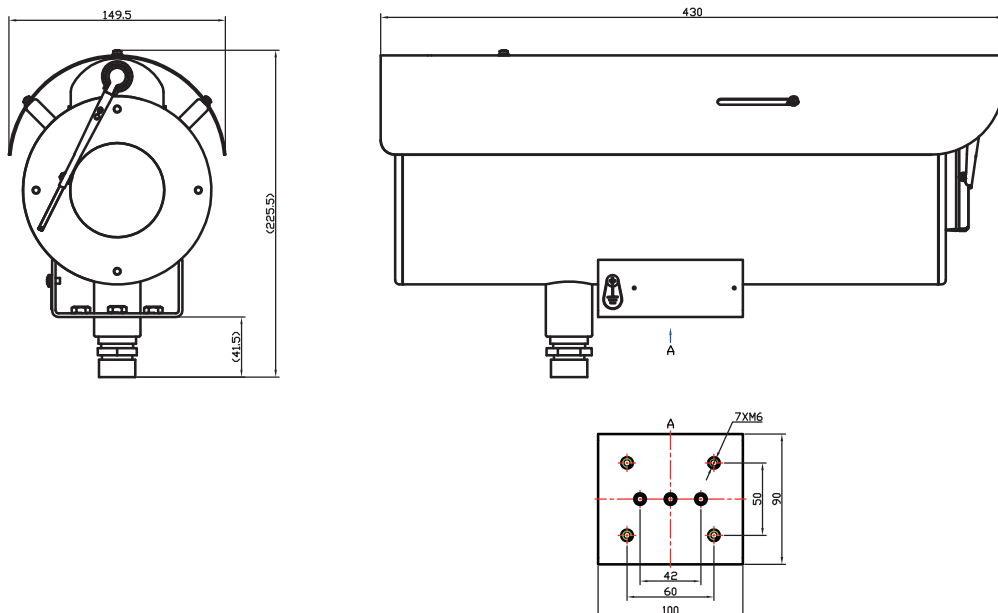
1080P HIGH DEFINITION TDN IP EXPLOSION-PROOF CAMERA

### SPECIFICATIONS

Environmental	
Operating Temperature	-40°C~55°C
Protection Class	IP68 waterproof
Viewing System	
Browser	IE 6.0 or above
Media Player	VLC, Quick Time, Real Player
Software	
Operating Platform	Honeywell HUS Platform 4.1 or above
Regulatory	
Certification	ATEX II 2 GD; Ex d IIC T6 Gb, Ex t IIIC T80°C Db, CE

Note: Honeywell reserves the right, without notifications, to make changes on product design and specifications.

### DIMENSIONS



# HEICC-2301T

---

1080P HIGH DEFINITION TDN IP EXPLOSION-PROOF  
CAMERA

## ORDERING

HEICC-2301T-12	1080p High Definition IP Explosion-proof Fixed Camera, IP68, True Day/Night, ONVIF, 12mm Lens
HEICC-2301T-16	1080p High Definition IP Explosion-proof Fixed Camera, IP68, True Day/Night, ONVIF, 16.33mm Lens
HEICC-2301T-25	1080p High Definition IP Explosion-proof Fixed Camera, IP68, True Day/Night, ONVIF, 25mm Lens
HEICC-2301T-35	1080p High Definition IP Explosion-proof Fixed Camera, IP68, True Day/Night, ONVIF, 35.3mm Lens
HEICC-2301T-5V50	1080p High Definition IP Explosion-proof Fixed Camera, IP68, True Day/Night, ONVIF, 5 - 50mm Vari-focal Lens

**Honeywell**

Nov 2012  
© 2012 Honeywell International Inc.