



P5000-AB

Vertical Axis Wind Turbine (VAWT)

Suitable for any Application; Urban to Rural, Residential to Commercial, Industrial to Institutional

Performance

Rated Power	5kW
Max Power	6kW
Rated Wind Speed	12m/s
Cut-In Speed	2m/s
Cut-Out Speed	25m/s
Survival Wind Speed	55m/s

Physical Parameters

Mill Diameter	4m
Mill Height	4.6m
Mill Weight	975kg
Tower Height & Weight	5.5m (650kg)

Generator Parameters

Type	PMG 3 phase
Rated Voltage	AC 250V
Rated Current	AC 11.5A
Protection Level	IP54

Controller Output

Output Voltage(On-grid)	DC 50-375V
Output Voltage(Off-grid)	DC 48V/110V

Over Speed Protection & Braking System

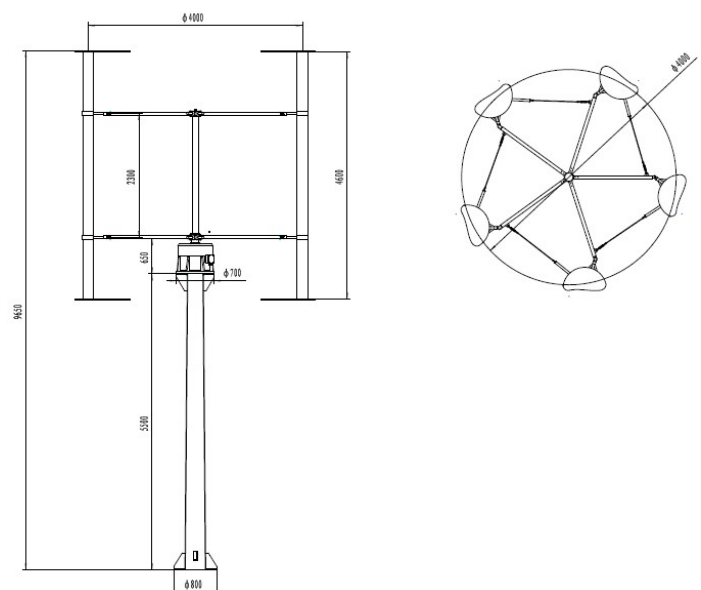
Speed Control Style	Pitch Control System
Brake Style	Automatic Hydraulic Brake

Advantages of VAWT

- Nearly Quiet
- Birds Friendly
- More Safety Features
- Wonderful Performance at Low Wind Speed
- Captures Wind from All Directions
- Longer Working Life
- Less Maintenance
- Less Requirements on Foundation

Advantages over Other VAWT

- High Efficiency
- Pitch Control to Govern Speed
- Automatic Hydraulic Brake





Annual Energy Production

Average Wind Speed(m/s)	2	3	4	5	6	7	8	9	10	11	12
Production (kWh)	553	1758	3900	7018	10839	14917	18867	22432	25443	27806	29500

Packing Size

Mark	Name	Volume	Gross(KG)	Net(KG)	Package
P5000-S/L	Long Arms	160cm*75cm*35cm	95	80	Plywood Box
P5000-S/S	Short Arms	61cm*61cm*51cm	75	65	Plywood Box
P5000-FRM	Generator Assembly	315cm*94cm*85cm	750	680	Steel Frame
P5000-B	Blades	470cm*72cm*20cm*5	35*5	30*5	Paper Box
P50000-C-G/I	On-grid controller	60cm*40cm*25cm	25	20	Plywood Box

7 Cubic meters, Gross weight 1120Kgs, Net weight 995Kgs

A 40ft open top container can hold 8 units. (excluding the tower)



P5000-FRM

Application

